

Fig 2-12 Upper PCB Layout

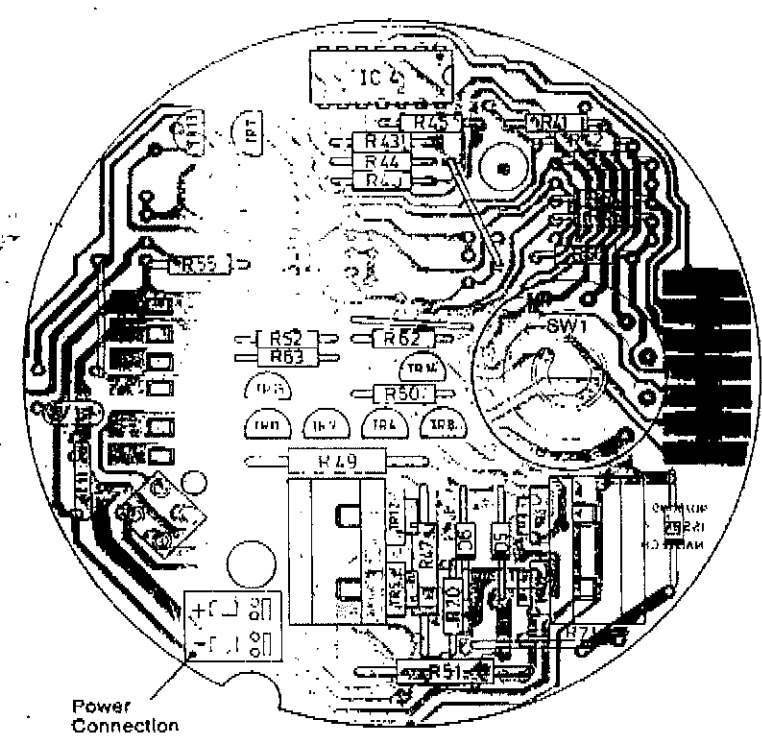
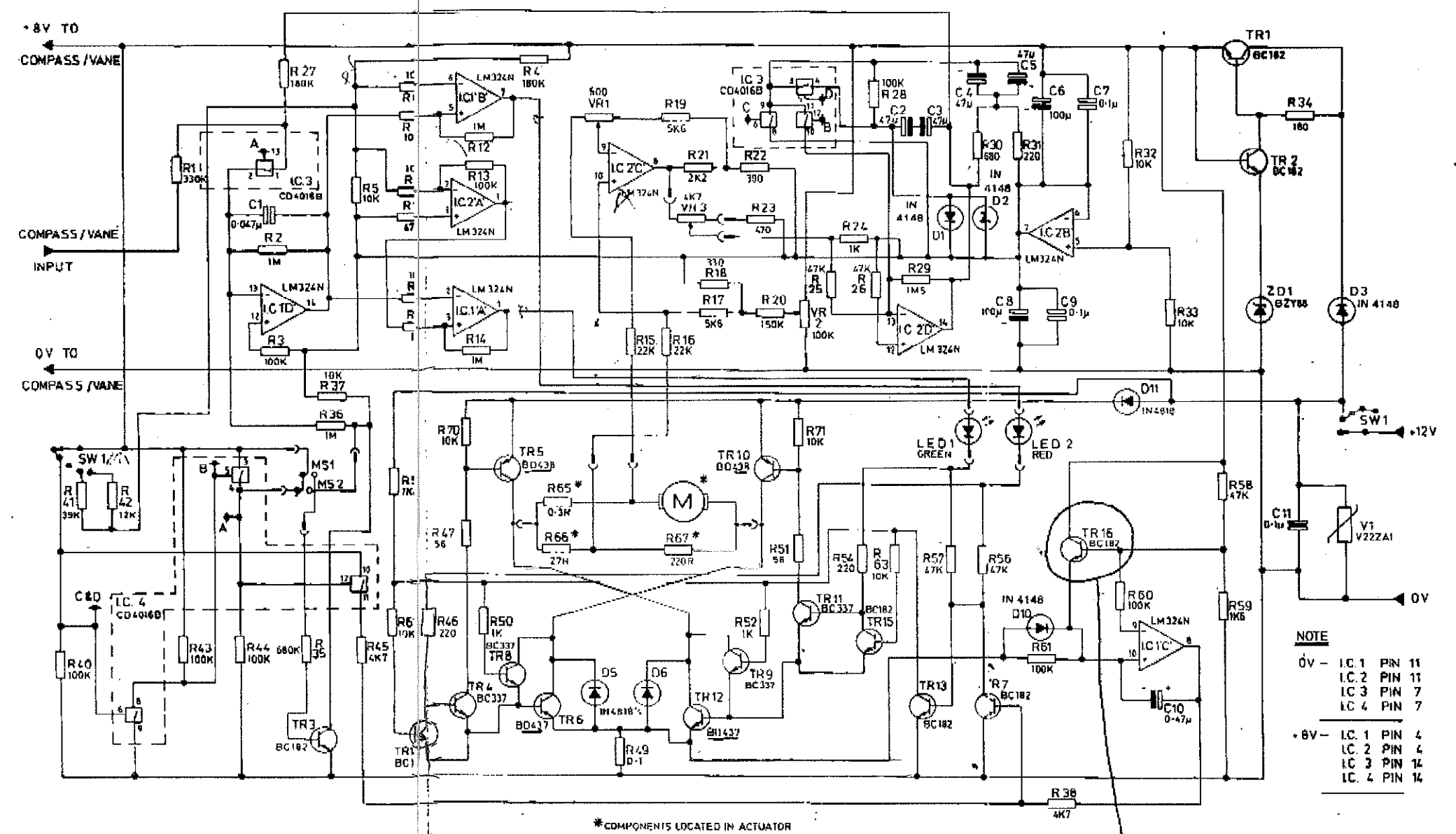


Fig 2-13 Lower PCB Layout



*COMPONENTS LOCATED IN ACTUATOR

NOTE
0V - IC 1 PIN 11
IC 2 PIN 11
IC 3 PIN 7
IC 4 PIN 7
+8V - IC 1 PIN 4
IC 2 PIN 4
IC 3 PIN 14
IC 4 PIN 14

*joue le rôle de Feed Back
en fin de course*

Fig 2-14 Circuit Diagram

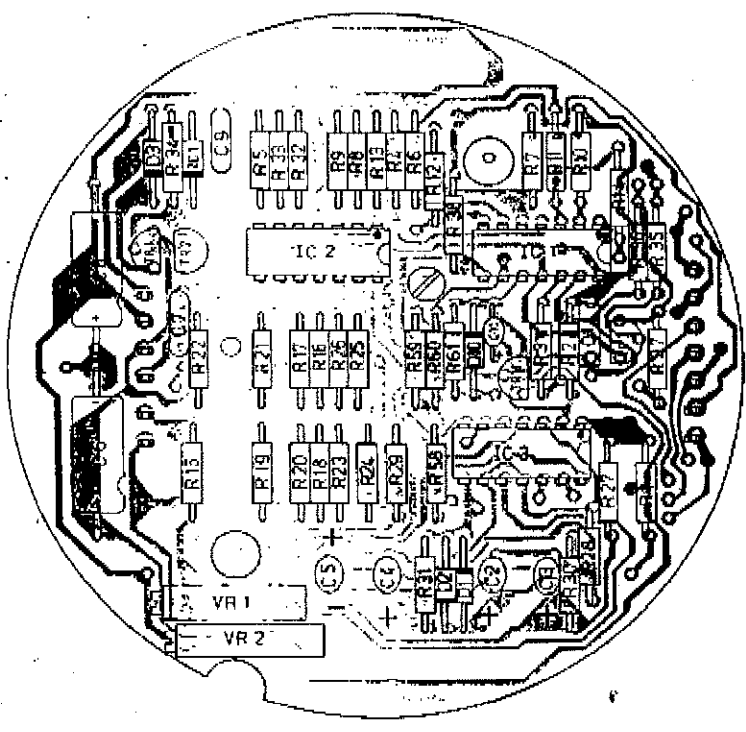


Fig 2-12 Upper PCB Layout

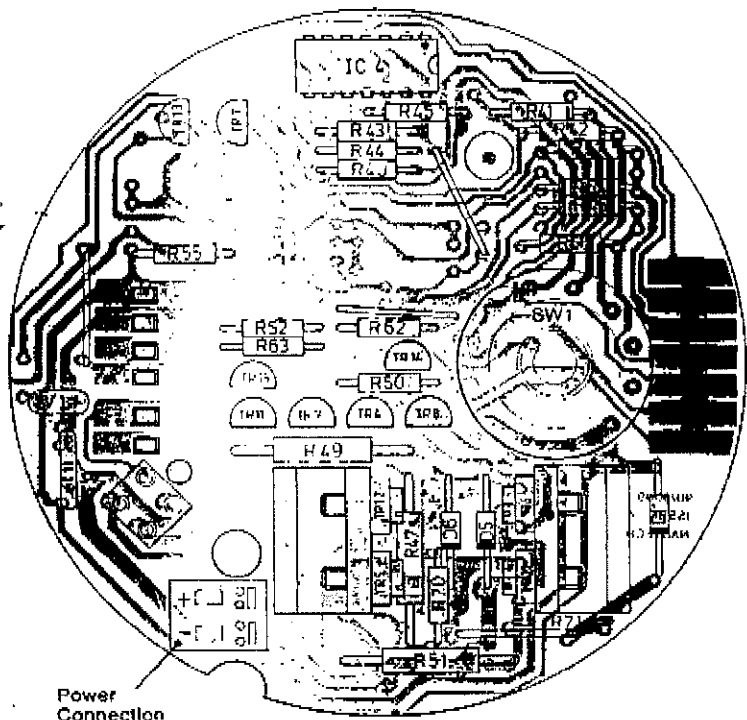
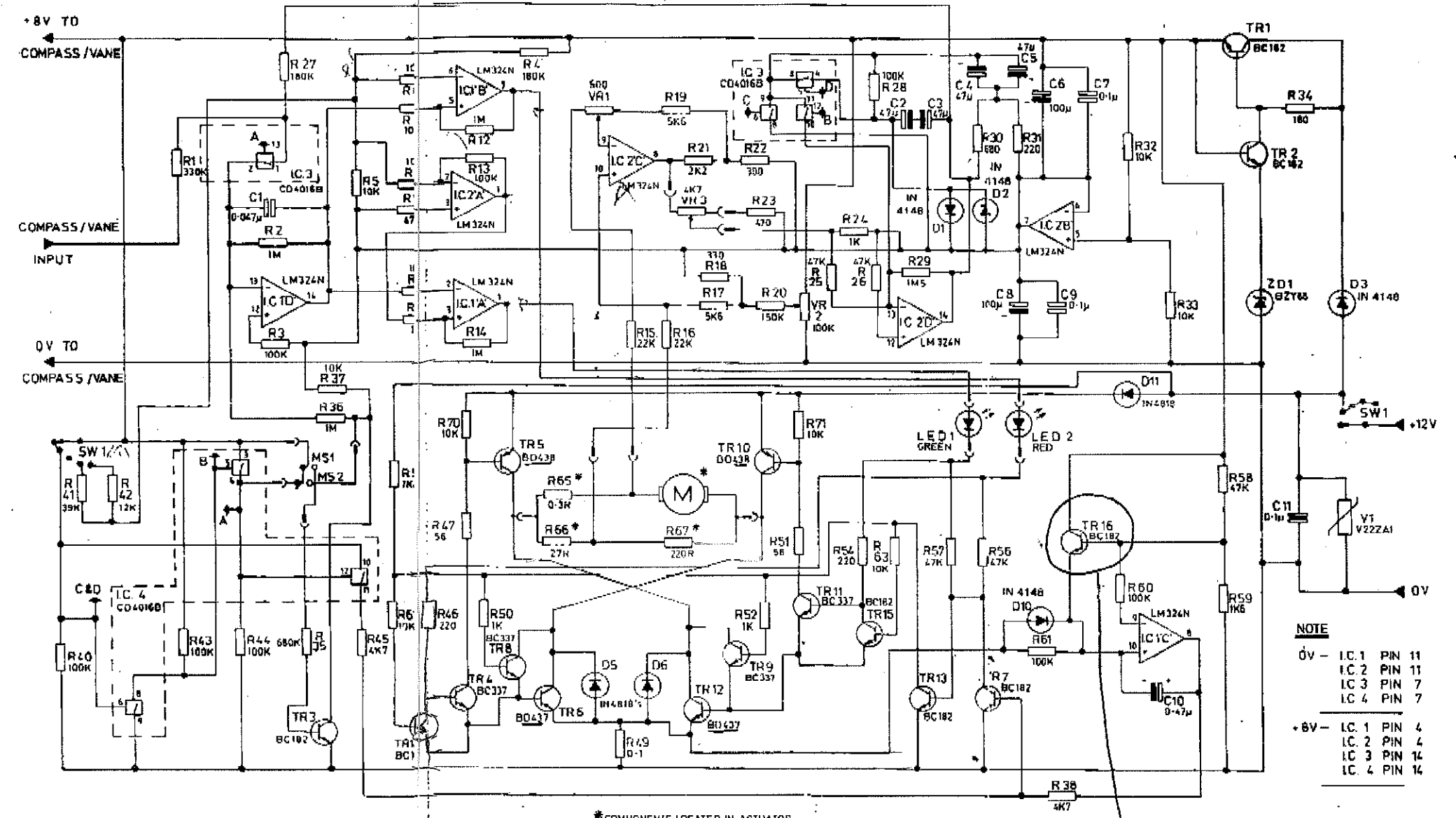


Fig 2-13 Lower PCB Layout



NOTE
0V - IC.1 PIN 11
IC.2 PIN 11
IC.3 PIN 7
IC.4 PIN 7
+6V - IC.1 PIN 4
IC.2 PIN 4
IC.3 PIN 14
IC.4 PIN 14

*COMPONENTS LOCATED IN ACTUATOR

*joue le rôle de Feed Back
en fin de course*

Fig 2-14 Circuit Diagram